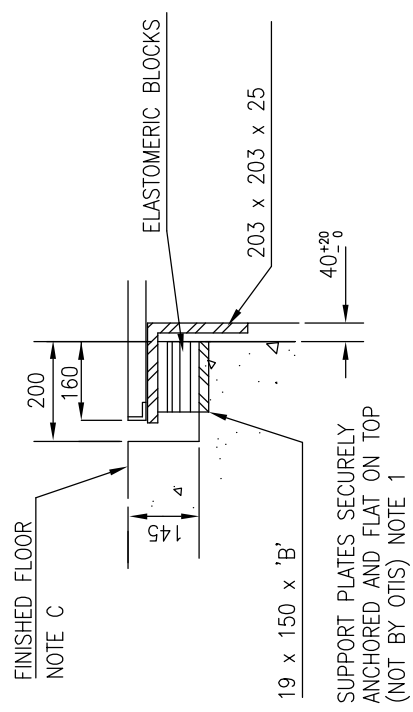
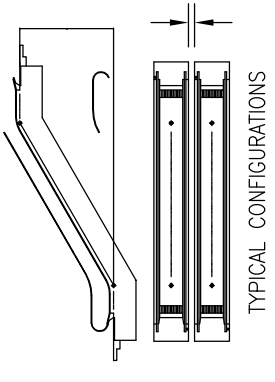


FLAT STEPS	STEP WIDTH	A	B	C	D	E	F	H
2	1000	1016	1550	1208	1629	1500	2589	ESCALATOR RISE

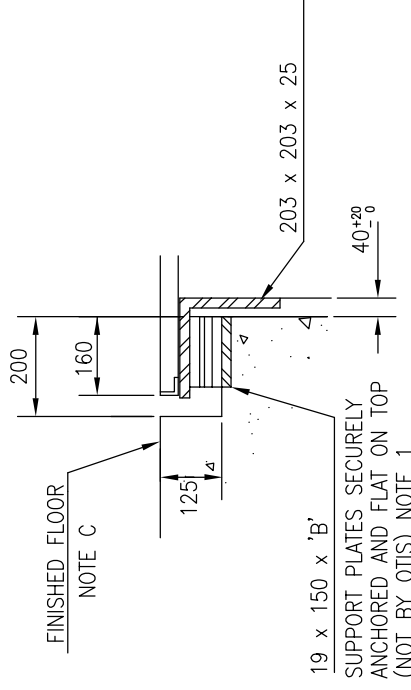
STEP WIDTH	ESCALATOR BEAM TO BEAM CALCULATION
1000	$L = 1.732 H + 4.945$ INPUT RISE IN METER YOU WILL HAVE BEAM TO BEAM IN METER.

STEP WIDTH	SUPPORT REACTIONS						
1000	<table border="1"> <tr> <td>Meter → kN</td> <td>bottom support vertical reaction</td> <td>top support vertical reaction</td> </tr> <tr> <td></td> <td>$3.95 * L + 2.3$</td> <td>$3.95 * L + 7.5$</td> </tr> </table>	Meter → kN	bottom support vertical reaction	top support vertical reaction		$3.95 * L + 2.3$	$3.95 * L + 7.5$
Meter → kN	bottom support vertical reaction	top support vertical reaction					
	$3.95 * L + 2.3$	$3.95 * L + 7.5$					

INPUT BEAM TO BEAM (L) IN (Meter) YOU WILL GET SUPPORT REACTIONS IN (kN)

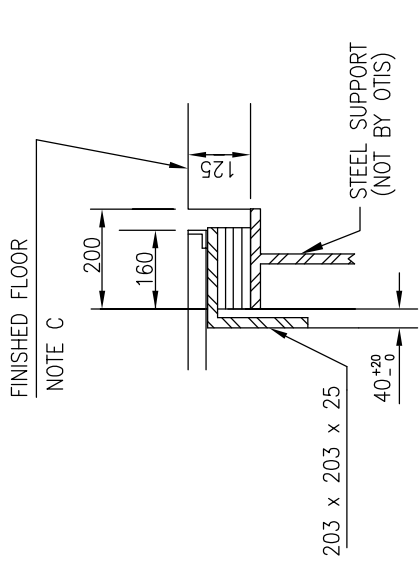


SLIDING SUPPORT
(WITH EXPANSION JOINT)

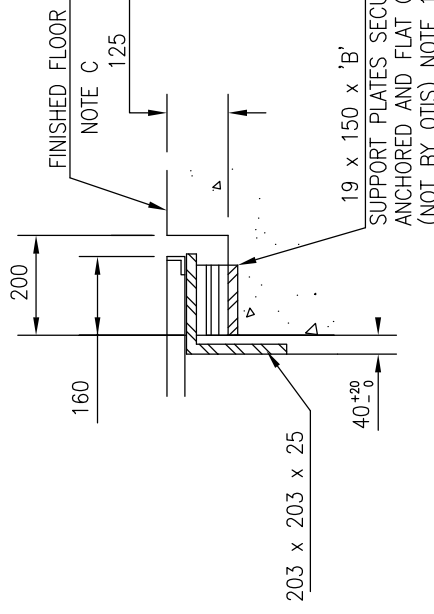


CONCRETE SUPPORT
(WITHOUT EXPANSION JOINT)

LOWER END DETAILS

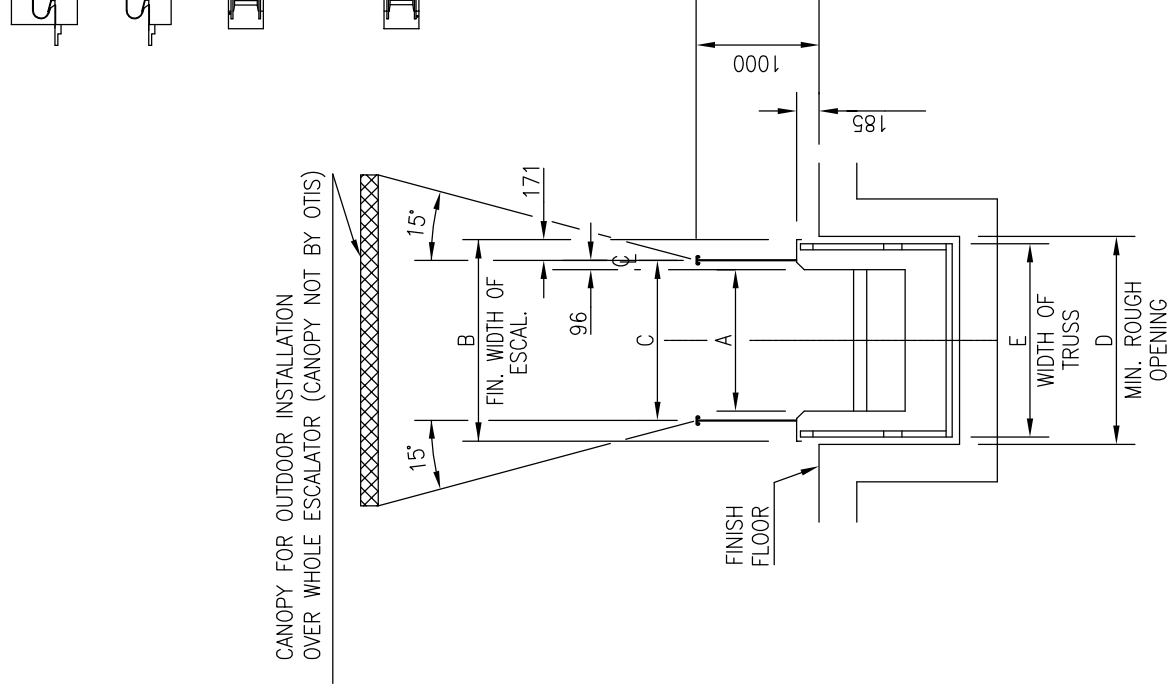


STEEL SUPPORT
(WITHOUT EXPANSION JOINT)



CONCRETE SUPPORT
(WITHOUT EXPANSION JOINT)

UPPER END DETAILS



SECTION R-R

SECTION S-S

NOTE - DO NOT SCALE THIS DRAWING

SHEET 2 OF 2

REV	DATE	DESCRIPTION OF REVISION	A	B	C	INITIALS
R-1	21.11.08	FOR TENDER PURPOSE				
R-0	24.09.08	FOR TENDER PURPOSE				

CONSULTANT:-
 CONSULTING ENGINEERING SERVICES (I) PVT LTD
 41-A, MAKER TOWER, 'E', CUFFE PARADE, MUMBAI-400 005.
 E-mail: cesmb@vsnl.com Web: www.cesinter.com
 PUNE OFFICE: TELEFAX: 020-25434626 e-mail: cespune@vsnl.com
 MUMBAI PUNE NEW DELHI

CLIENT:- PIMPRI CHINCHWAD MUNICIPAL CORPORATION
 PIMPRI PUNE - 411 018.
 PH.: +91-20-27425511 FAX: +91-20-27425600
 E-mail: pcmc@vsnl.com Web: www.pcmc.org

NAME OF WORK:
DESIGN AND CONSTRUCTION OF FLYOVER AND ROBE AT NASHIK PHATA ON OLD MUMBAI PUNE NH-4 INCLUDING BRIDGE ON RIVER PAWANA.

TITLE:
GENERAL ARRANGEMENT DRAWING FOR ESCALATOR OF FLYOVER

DRG.NO.2005191/ESCALATOR -016
 REVISION NO: RO DATE:25-09-08
 DRAWN BY(A) CHECKED (C) APPROVED (D)
 RUPALI CHAVAN D.B.JOTAWAR M.K.GANGIL FOR TENDER